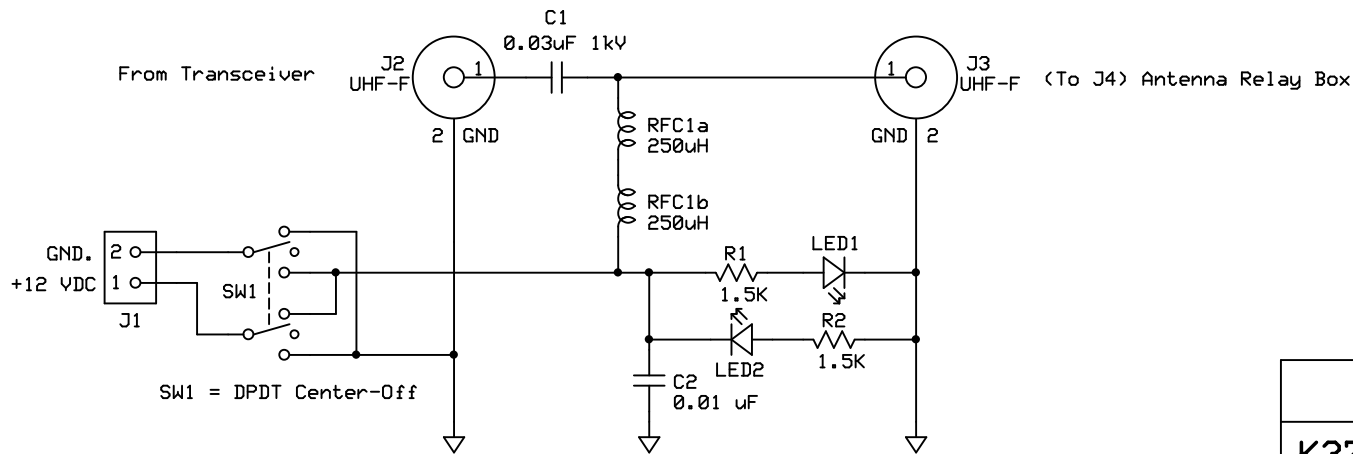


Antenna Base Switching Unit

TRUTH TABLE:

K1 = 0V; K2, & K3 = 0V	80/60/30M	1/4 Wave
K1 = +12V; K2, & K3 = 0V	160M	1/4 Wave
K1 = 0V; K2, & K3 = -12V	40M	3/8 Wave

K1 = Vacuum Relay with 12 VDC Coil
Jennings P/N: RJ6A-26N969-12VDC Coil
K2, K3 = Appliance Relays with 12 VDC Coils
TYCO/P&B P/N: RTE24012F



Shack Control Unit (Bias - T)

MIJ Electronics		
K3ZXL's 30-160M Antenna Ctrl.		
W. Caselli	Rev. 4	Page # 1 of 1
	01/15/2011	